



BEST IN GAMES, SAUNAS,  
POOL AND PATIO

## 7-FT Westwood Pool Table Bench - Walnut RB5900B1



FREETIME FUN  
1830 E. FABYAN PKWY.  
BATAVIA, IL 60510  
WWW.FREETIMEFUN.COM

Check all packaging before discarding.

Be sure all parts identified in the assembly manual  
are included.

Don't assemble if parts are missing.

If you are missing parts or have questions please  
contact our toll free line at 1-888-620-6088.

Thank you for purchasing this product. If you experience any issues during assembly or use of this product, please don't hesitate to contact Customer Service at 1-888-620-6088 for immediate assistance.

## ASSEMBLY TIPS

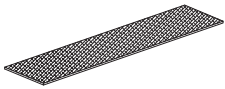

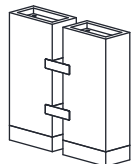
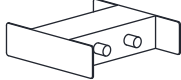

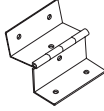
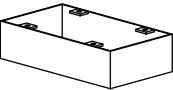
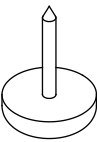
**IMPORTANT! PLEASE READ THESE ASSEMBLY INSTRUCTIONS IN ENTIRETY BEFORE ASSEMBLING YOUR PRODUCT.**

One Bench Estimated Assembly Time: 30 minutes

1. Find a clean, level surface to begin the assembly of your bench. Assembly will require two adults. You may want to carefully cut the four corners of the box so that the bottom of the box can be used as your work surface.
2. Remove all of the contents from the box and verify that you have all of the parts shown on the Parts List before you begin assembly. Note: Some parts are pre-installed or pre-assembled.
3. When installing parts that have more than one screw or bolt, hand tighten all screws or bolts in place before final tightening with screwdriver or wrench.
4. Electric screwdrivers may be helpful during assembly; however, please set a low torque and use extreme caution because screws may be stripped if overtightened, resulting in damaged parts.




► **THIS PRODUCT IS INTENDED FOR INDOOR USE ONLY.  
DO NOT DRAG THE BENCH WHEN MOVING IT AS THIS MAY CAUSE DAMAGE TO THE LEGS.**

## BENCH PARTS

 <p><b>1</b> Bench Storage Area Carpet XRB14711(1)</p>	 <p><b>2</b> Bench Seat Top Pre - Installed XRB14712(1)</p>	 <p><b>3</b> Bench Leg Assembly Pre - Assembled XRB14713(2)</p>	 <p><b>4</b> Center Leg Bracket Pre-Installed XRB14714(4)</p>	 <p><b>5</b> Hydraulic Spring Pre-Installed XRB14715(2)</p>	 <p><b>6</b> Hinge Pre-Installed XRB14716(3)</p>
 <p><b>7</b> Metal Leg Boot Pre-Installed XRB14717(4)</p>	 <p><b>8</b> Bench Leg Glide Pre-Installed XRB14719(16)</p>				

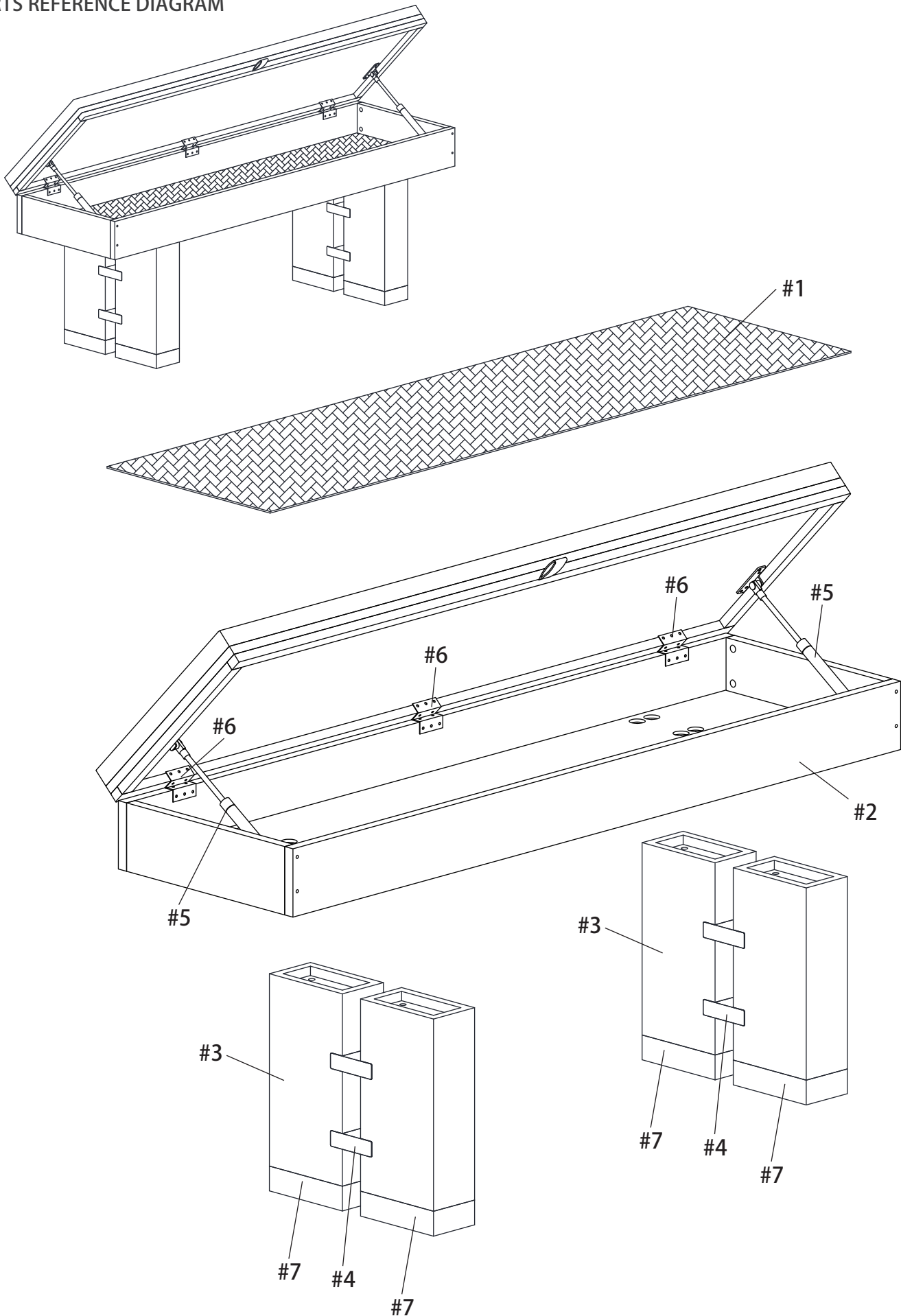
## Hardware Pack RB5900B1

XRB14718

 <p><b>9</b> M6x50mm bolt(16)</p>	 <p><b>10</b> M6 Washer(16)</p>	 <p><b>11</b> Allen Wrench (1)</p>
--	--	---

# 7-FT Westwood Pool Table Bench - Walnut

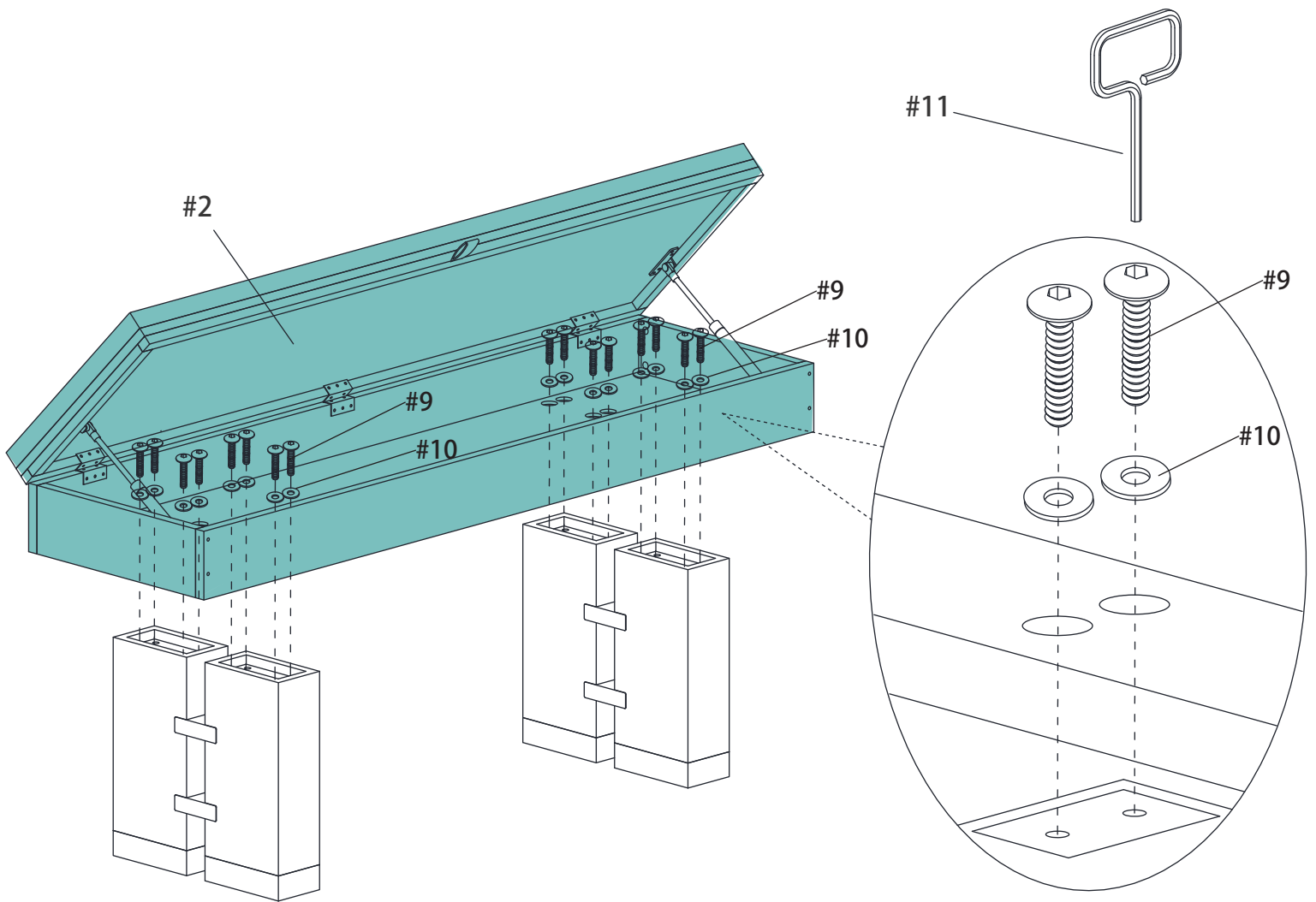
## PARTS REFERENCE DIAGRAM



# 7-FT Westwood Pool Table Bench - Walnut ASSEMBLY INSTRUCTIONS

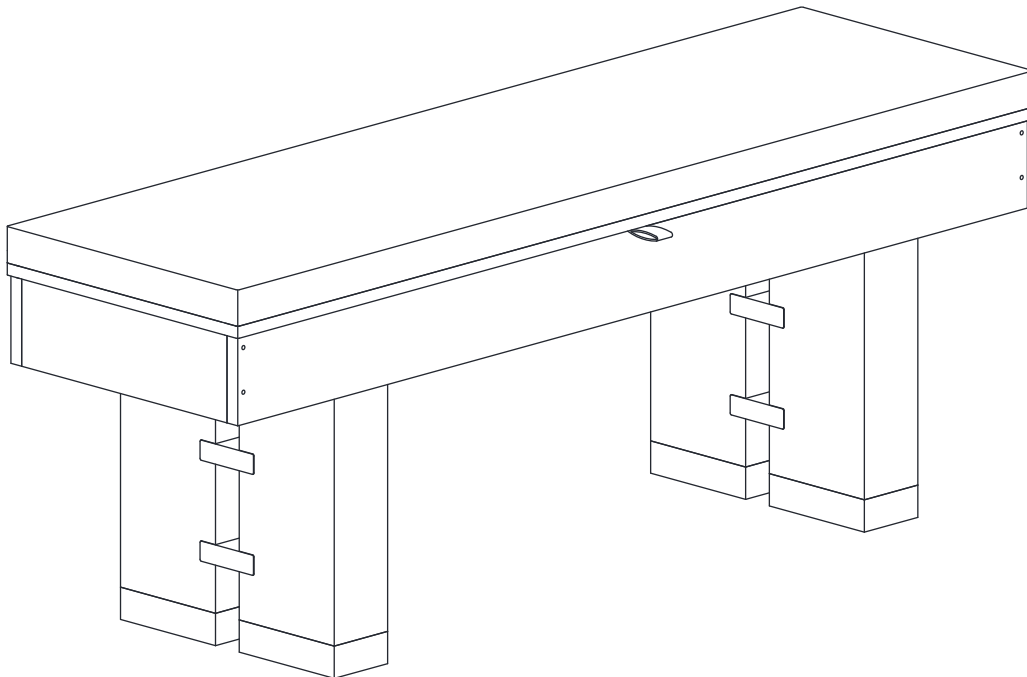
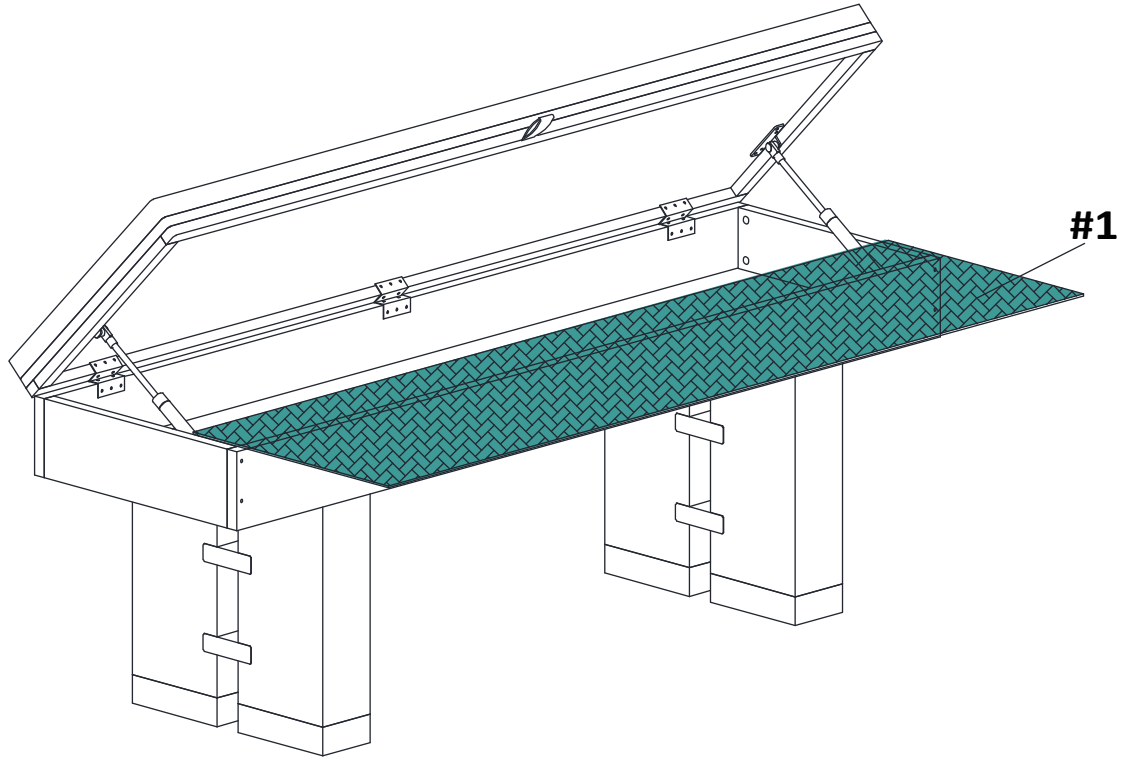
## STEP 1

Repeat this process for both bench leg assemblies.



# 7-FT Westwood Pool Table Bench - Walnut ASSEMBLY INSTRUCTIONS

## STEP 3



## 1-YEAR LIMITED WARRANTY

This product is warranted to the original purchaser to be free from defects in material or workmanship for a period of 1-Year from the date of the original retail purchase.

This warranty does not cover defects or damage due to improper installation, alteration, accident, or any other event beyond the control of the manufacturer. Defect or damage resulting from misuse, abuse, or negligence will void this warranty. This warranty does not cover scratching or damage that may result from normal usage.

This product is not intended for institutional or commercial use: the manufacturer does not assume any liability for such use. Institutional or commercial use will void this warranty.

This warranty is nontransferable and is expressly limited to the repair or replacement of the defective product. During the warranty period, the manufacturer shall repair or replace defective parts at no cost to the purchaser. Labor charges and related expenses for removal, installation or replacement of the product, or components are not covered under this warranty.

The manufacturer reserves the right to make substitutions to warranty claims if parts are unavailable or obsolete.

The manufacturer shall not be liable for loss of use of the product, or other consequential or incidental costs, expenses or damage incurred by the consumer of any other use.

All warranty claims must be made to Freetime Fun. A purchase receipt with purchase date will be required to process all warranty claims. The model number and part numbers found within the assembly instructions will be required when submitting any parts requests or warranty claims.

**BE SURE TO CHECK OUR WEBSITE AT [FREETIMEFUN.COM](http://FREETIMEFUN.COM)  
FOR GREAT NEW GAMES, SAUNAS, PATIO, AND POOL SUPPLIES FOR YOUR HOME AND FAMILY!  
[WWW.FREETIMEFUN.COM](http://WWW.FREETIMEFUN.COM)**



**BEST IN GAMES, SAUNAS,  
POOL AND PATIO**

**1830 E. FABYAN PKWY, BATAVIA, IL 60510  
PHONE: 1-888-620-6088  
EMAIL: [CUSTOMERSERVICE@FREETIMEFUN.COM](mailto:CUSTOMERSERVICE@FREETIMEFUN.COM)**

**TO ORDER REPLACEMENT PARTS  
VISIT OUR WEBSITE  
[WWW.FREETIMEFUN.COM](http://WWW.FREETIMEFUN.COM)**